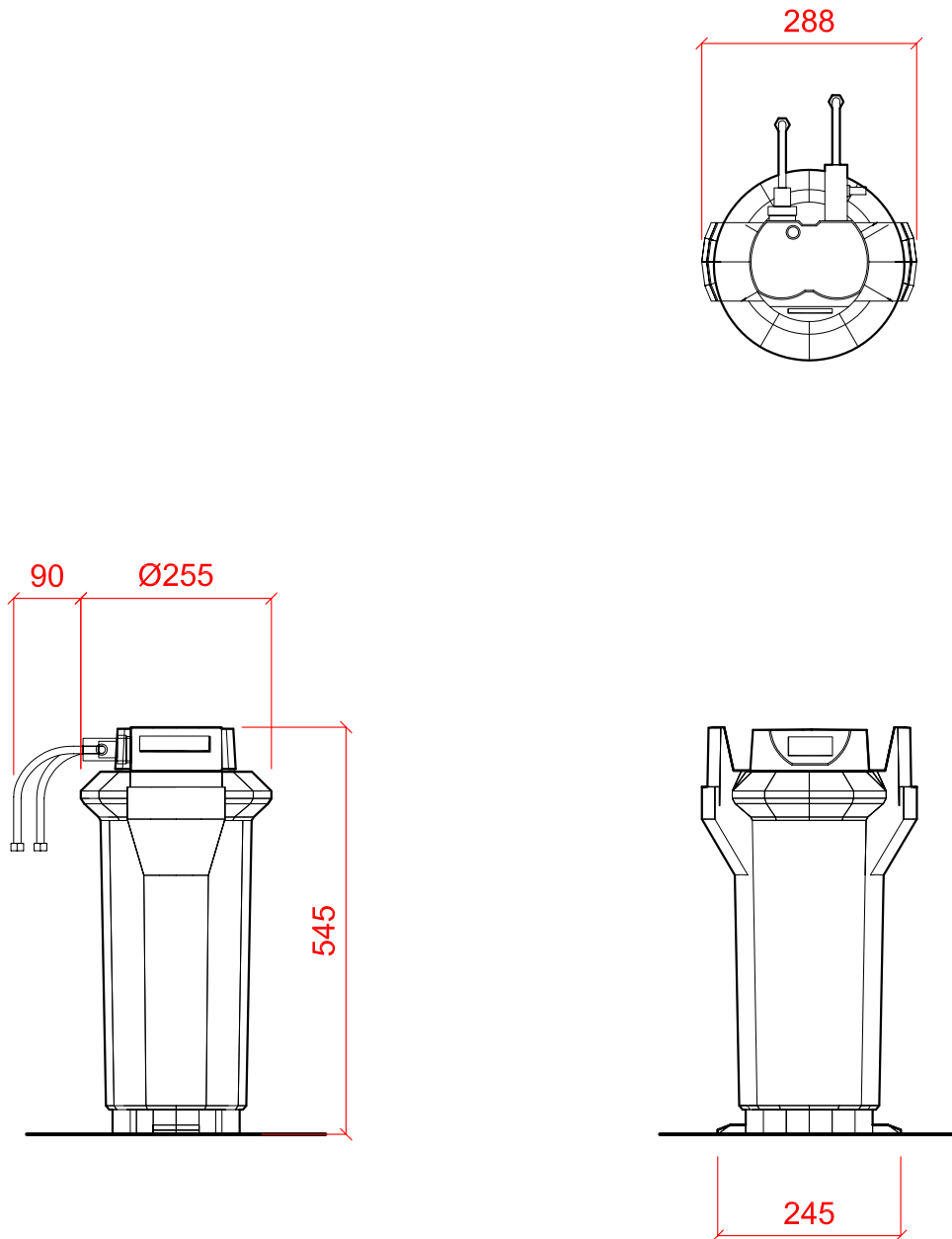


Water Softener - Brita Purity Steam 1200

BPS1200



1 Water

1. INLET: 3/4" B.S.P. CONNECTION
2. OUTLET: 3/4" B.S.P. MALE
3. PRESSURE: 2.0 TO 6.0 BAR.
4. TEMPERATURE: 4°C TO 38°C

MAINS COLD WATER NOT PRE SOFTENED

RIGHT TO MAKE NECESSARY CHANGES IS RESERVED