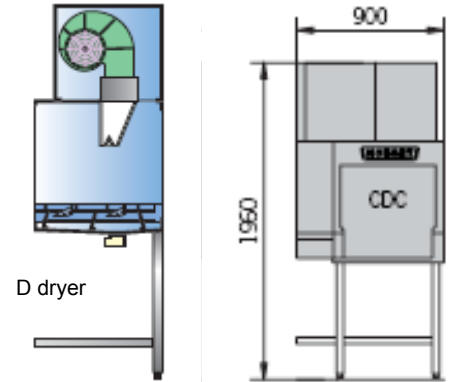


Rack conveyor dishwasher - 120 racks / hour

Product Advantages:

- **Heavy-duty "A" wash tank** for maximum wash results
- Stainless steel wash & rinse arms with **patented WIDE ANGLE FAN nozzle** to maximise wash and rinse performance
- Single rinse - 230 litres / hr
- 1 speed - 120 racks / hr
- **EASYTRONIC** electromechanical controls with temperature gauges.
- Optimum hygienic safety by deep drawn tank with covered corners (no welds)
- Stainless steel single piece strainer pan
- Stainless steel wash pump - self draining
- **RINSE ACTUATOR & PRESSURE PUMP** to guarantee rinse pressure and volume
- Single point exhaust vent connection



D straight dryer section adds 650mm to length of below machine

Dryer – fan 0.5kW / 510m³/hr. Electrically heated – 3kW

CDC dryer section over exit curve adds 900mm to length of below machine

MADE IN GERMANY

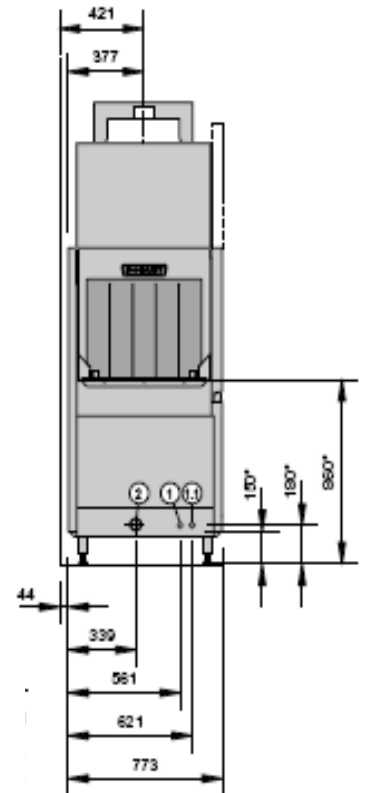
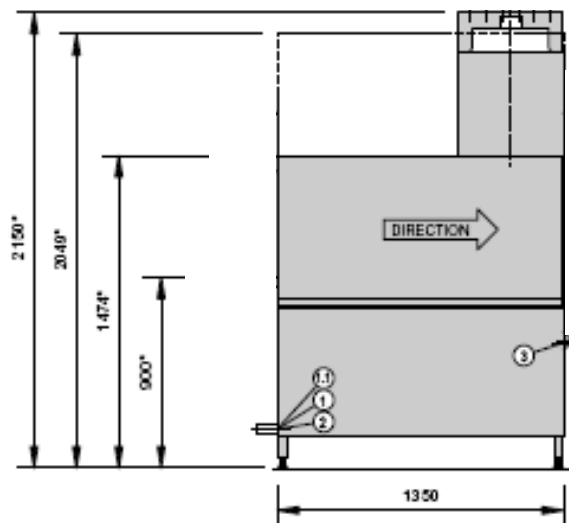
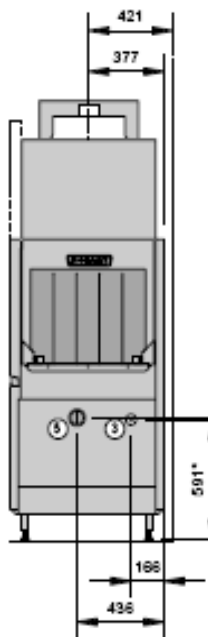
Technical Data

Dryer not included

Waste connection point	50mm (single point)
fresh water connection:	G 3/4
flow pressure	200-400kPa
water temperature	55-65°C
Rinse pressure pump & Rinse actuator	Standard

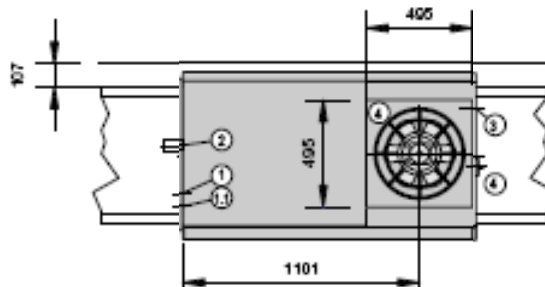
Power supply	415/50/3NE
Total Load	28.7kW
Racks per hour	120
Water consumption	230 litres / hour 1.9litres / rack
Tank capacity	105 litres

Tank heating	12kW
Booster loading	12kW
Pump capacity	1.5kW
Loading height	440mm
Bench to bench	1350mm



- 1 Fresh water connection
- 1.1 Warm water connection
- 2 Drain DN 50
- 3 Electrical connection 40c
- 4 Exhaust with fan
- 5 Main switch

* +/- 25mm feet adjustment



Water hardness should not exceed 3°dH, if higher we recommend using a water softener.

If mineral content is high a demineraliser may be advisable.