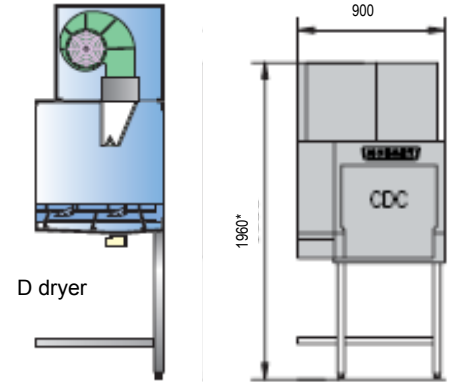


Rack conveyor dishwasher - 150 racks / hour

Product Advantages:

- Economy "E" pre-wash
- **Heavy-duty "A" wash tank** for maximum wash results
- Stainless steel wash & rinse arms with **patented WIDE ANGLE FAN** nozzle to maximise wash and rinse performance
- Single rinse - 240 litres / hr
- 1 speed - 150 racks / hr
- **EASYTRONIC** electromechanical controls with temperature gauges.
- Optimum hygienic safety by deep drawn tank with covered corners (no welds)
- Stainless steel single piece strainer pan
- Stainless steel wash pump - self draining
- **RINSE ACTUATOR & PRESSURE PUMP** to guarantee rinse pressure and volume
- Single point exhaust vent connection



D straight dryer section adds 650mm to length of below machine
Dryer – fan 0.5kW / 510m³/hr. Electrically heated – 3kW
CDC dryer section over exit curve adds 900mm to length of below machine

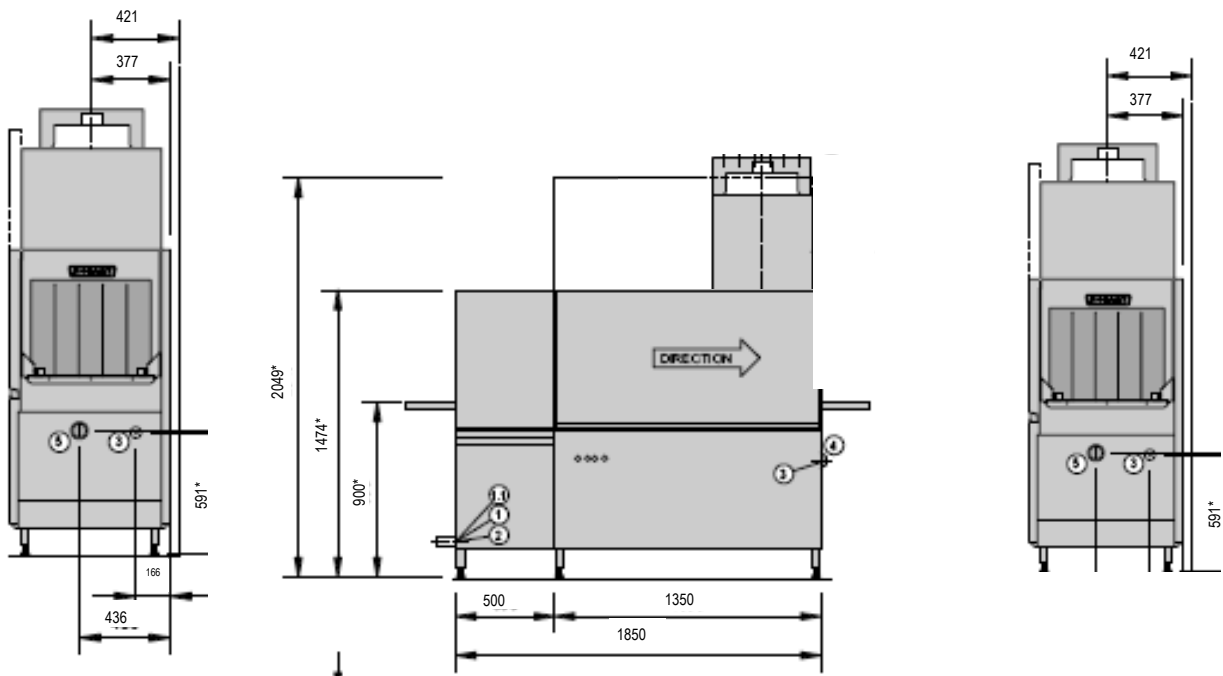
MADE IN GERMANY

Technical Data **Dryer not included**

Waste connection point	50mm (single point)
fresh water connection:	G 3/4
flow pressure	200-400kPa
water temperature	55-65°C
Rinse pressure pump & Rinse actuator	Standard

Power supply	415/50/3NE
Total Load	28.9kW
Racks per hour	150
Water consumption	240 litres / hour 1.6litres / rack
Tank capacity	105 litres

Tank heating	12kW
Booster loading	12kW
Pump capacities - wash tank pre-wash	1.5kW 0.27kW
Loading height	440mm
Bench to bench	1850mm



- 1 Fresh water connection
- 1.1 Warm water connector
- 2 Drain DN 50
- 3 Electrical connection 4t
- 4 Exhaust with fan
- 5 Main switch

* +/- 25mm foot adjustment

Water hardness should not exceed 3°dH, if higher we recommend using a water softener.

If mineral content is high a demineraliser may be advisable.